



Venetian Solvent Ink Printer

Operational Manual

V1.3

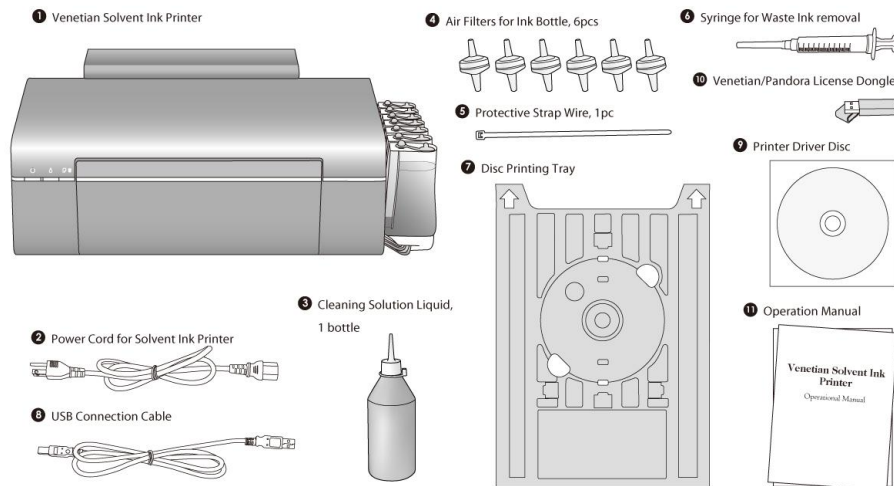
TABLE OF CONTENTS:

IMPORTANT NOTICE AND INSTALLATION:	1
• Packaging Content	1
• Unpacking	2
• Hardware Installation	3
• Software Installation	8
• Verify Installation	10
DISC PRINTING	11
• Ink Head Cleaning Prior Printing	11
• Check Ink Quantity Prior Printing	11
• Perform Disc Printing via Print CD Software	12
TOOLS AND MAINTENANCE	15
• Ink Head Cleaning	15
• Reset Ink Chip	16
• Refill the Ink	18
• Ink/Color Calibration	20
• Packaging for Shipping	21

Important Notice and Installation:

- **Packaging Content**

1. **Venetian Solvent Ink Printer**
2. **Power Cord for Solvent Ink Printer**
3. **Cleaning Solution Liquid, 1 bottle**
4. **Air Filters for Ink Bottle, 6pcs**
5. **Protective Strap Wire, 1pc**
6. **Syringe for Waste Ink removal**
7. **Disc Printing Tray**
8. **USB Connection Cable**
9. **Printer Driver Disc**
10. **Venetian/Pandora License Dongle**
 - Venetian Ink Tuner Software included
 - Printer Software included
11. **Operation Manual**

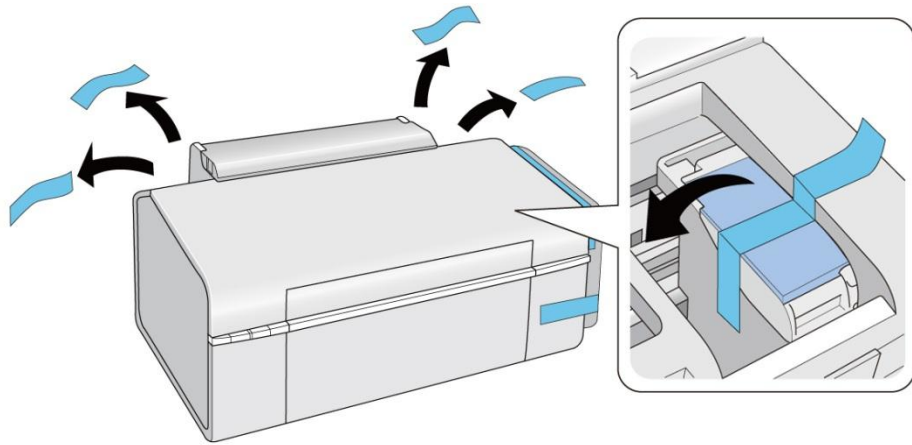


- **Unpacking**

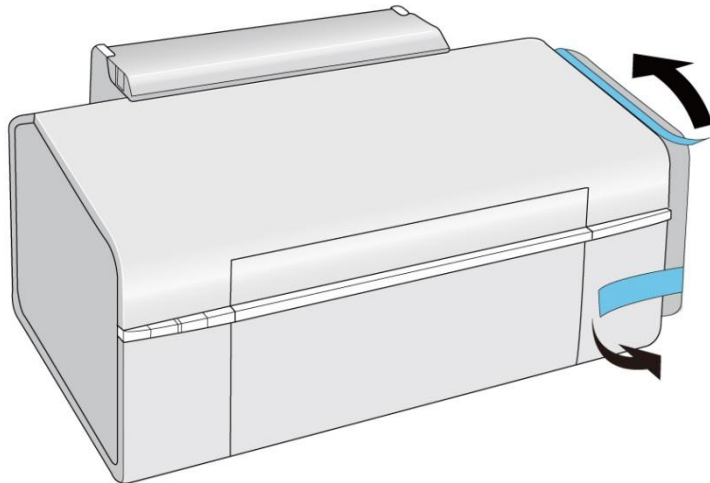
1. First remove the outer packaging and visually inspect any signs of leaked ink. If there is any, please **STOP** and contact Tech Support center immediately.



2. Safely remove the printer from all packaging and protective materials as below:



3. Please remove the additional protective cover on top of ink bottles and waste ink tube as well.



- **Hardware Installation**

1. **Move the Ink Bottle Set apart from the printer. Flip it horizontally until the ink is completely flowed to the bottom compartment.**



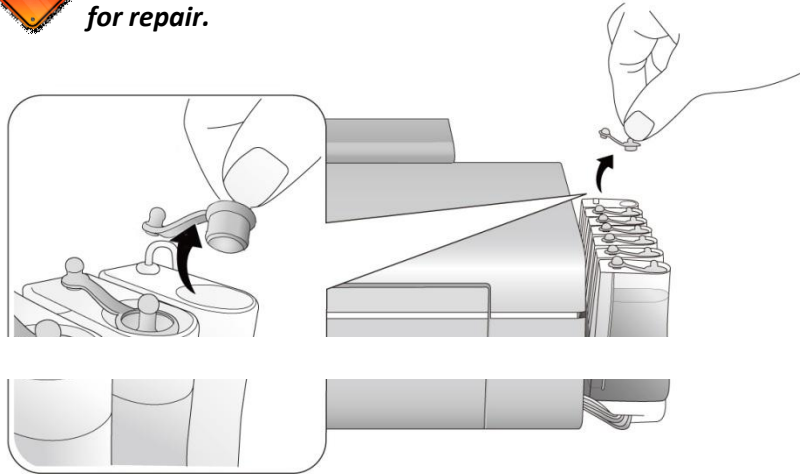
2. **Flip the Ink Bottle Set back vertically and re-attach it to right side of the printer. Please note that there shouldn't be any ink on the back compartment.**



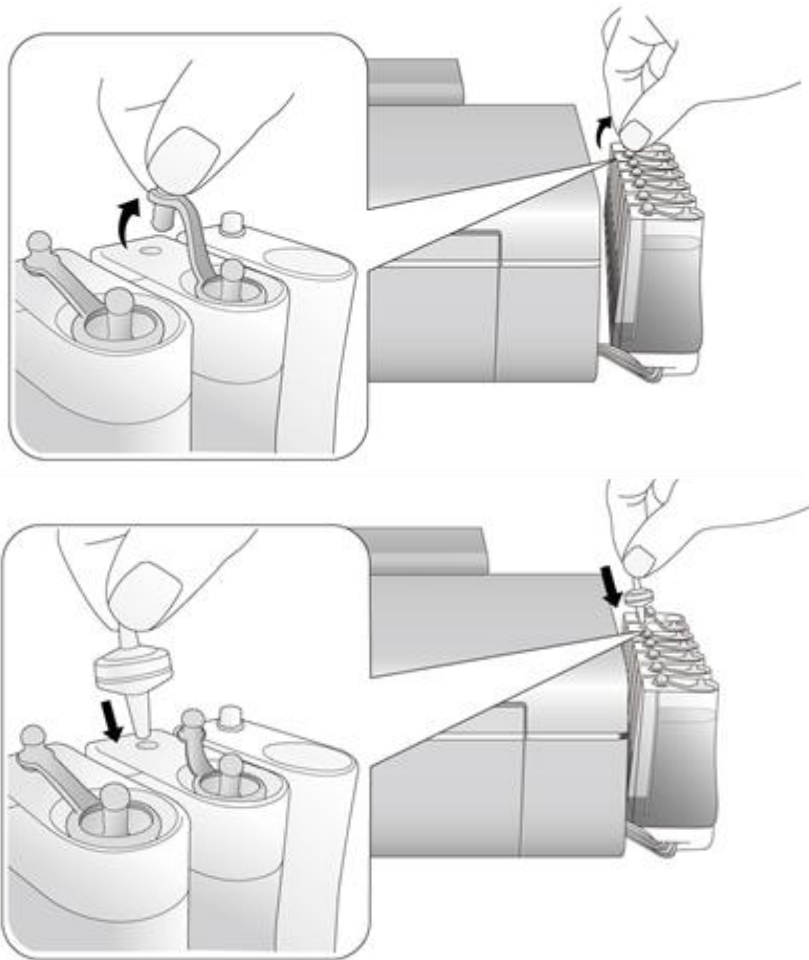
3. Remove the rubber cap from the Waste Ink Tube completely.



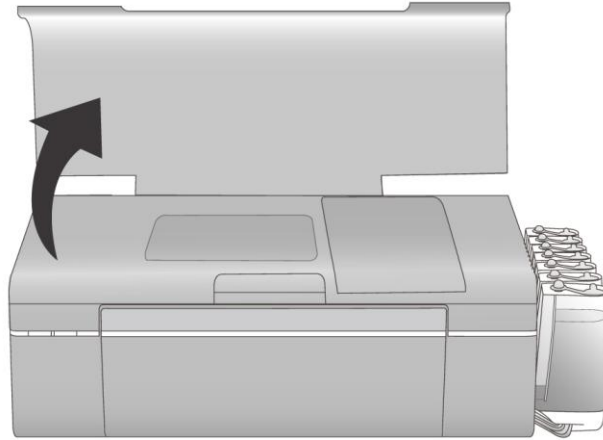
Please save it in a safe place. It is needed for shipping back to depot for repair.



4. Loosen the small cap for remaining 6 Color Ink bottle and insert the thicker end of the Air Filter (6pcs total) into the smaller hole of the Color Ink Bottle as reference below:

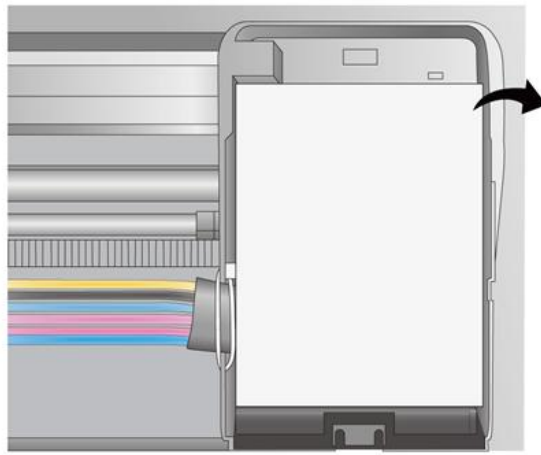


5. Flip open the top printer cover.

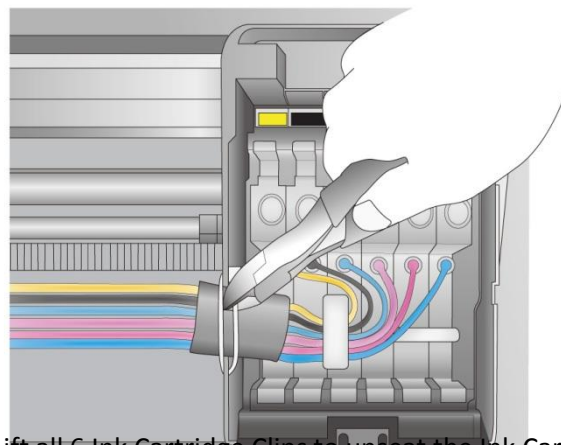


6. Safely remove additional protective foam around the Ink Cartridges as below:

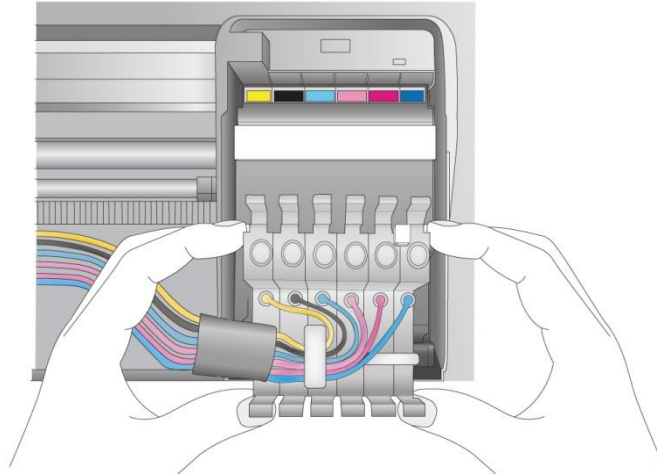
- Remove the top protective cover of the ink cartridge.



- Cut off the holding strap that holds the ink tubes.



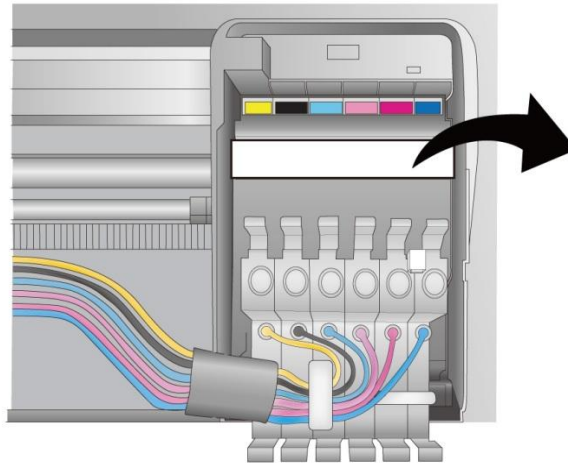
- Lift all 6 Ink Cartridge Clips to unseat the Ink Cartridge



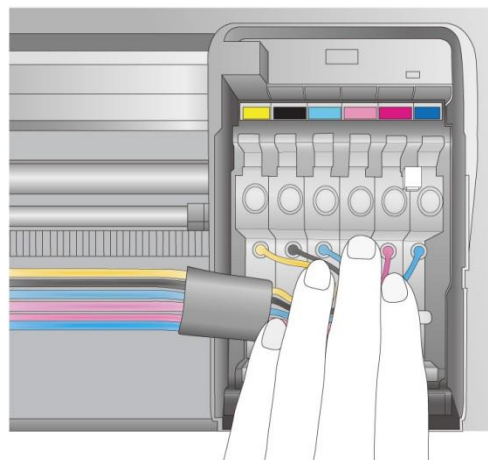
- Remove the protective foam under the Ink Cartridges



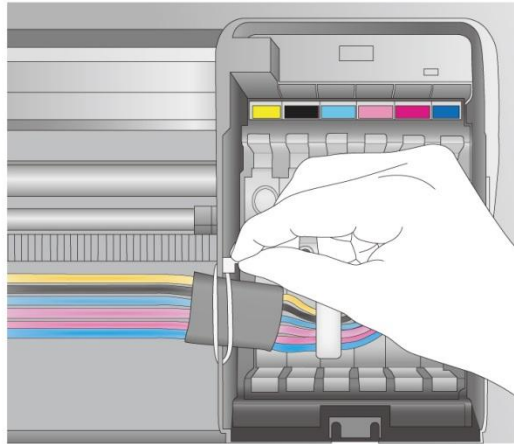
Please save it in a safe place. It is needed for shipping back to depot for repair.



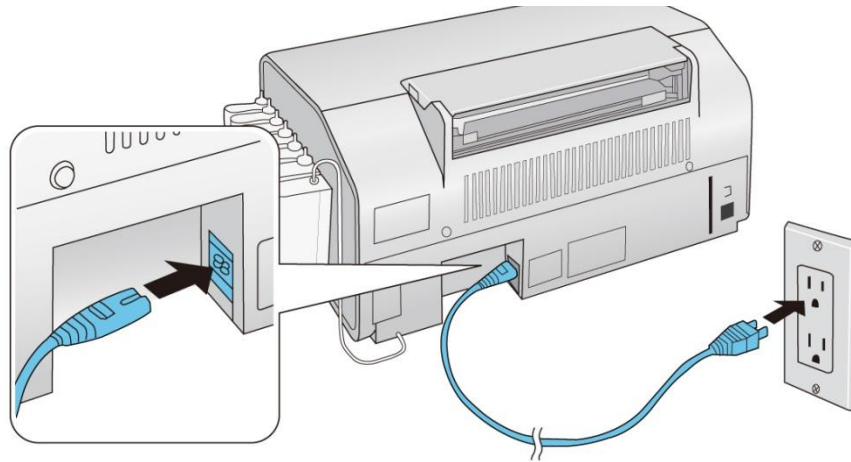
- Re-seat the Ink Cartridge firmly (all 6 Cartridge Clips are clipped)



- Re-wrap the holding strap around the ink tubes

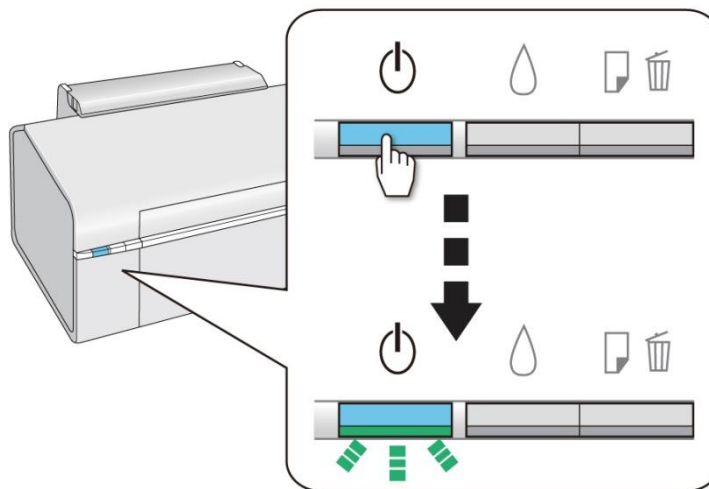


7. Connect the Power Cable to the Printer.



Caution: Do NOT connect to your computer yet.

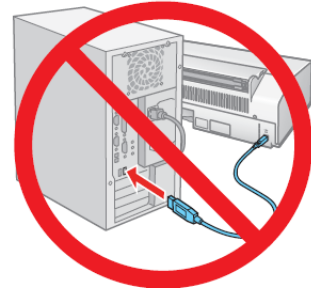
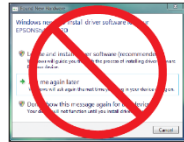
8. Press the Power Button.



- **Software Installation**

1. **Make sure the printer is NOT CONNECTED to your computer.**

Note: If you see a “Found New Hardware” screen, click “Cancel” and disconnect the USB cable. You can’t install your software that way.

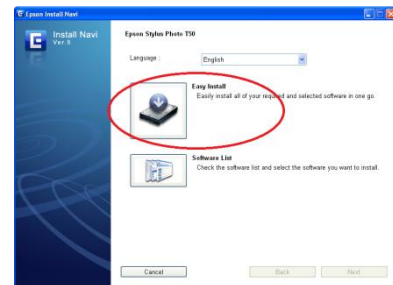


2. **Insert the Printer Driver CD.**

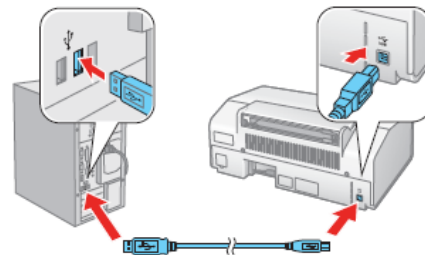
With Windows Vista/7, if you see the AutoPlay window, click see the “User Account Control” screen, click “Continue”.



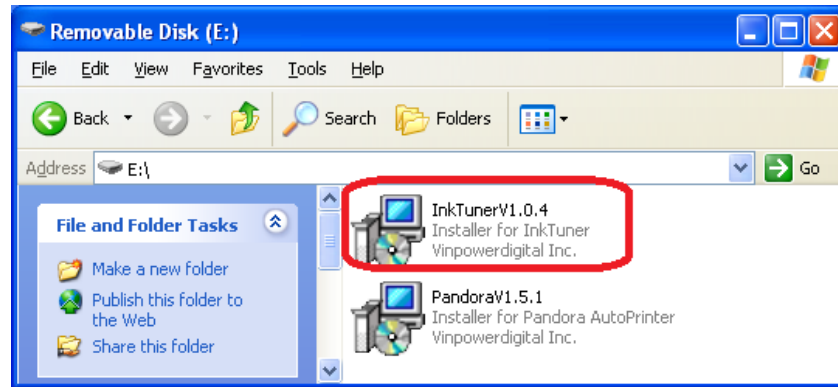
3. **Click “Easy Install” and follow the on-screen instructions.**



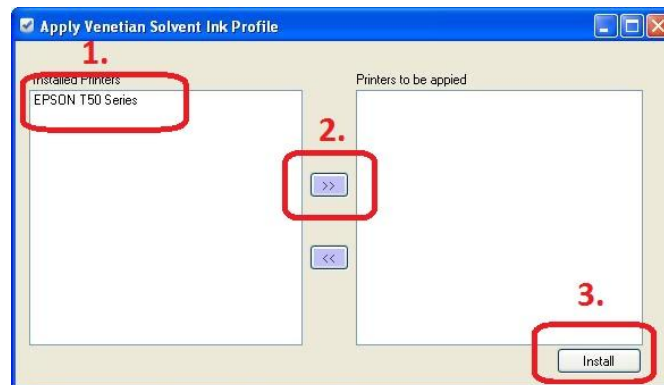
4. **When prompted, connect a USB cable. Use any open USB port on your computer.**



5. When you're done, remove the CD.
6. Insert the Venetian/Pandora Software/License Dongle. (*Required for InkTuner Installation)
7. Double click on InkTunerSetup.exe

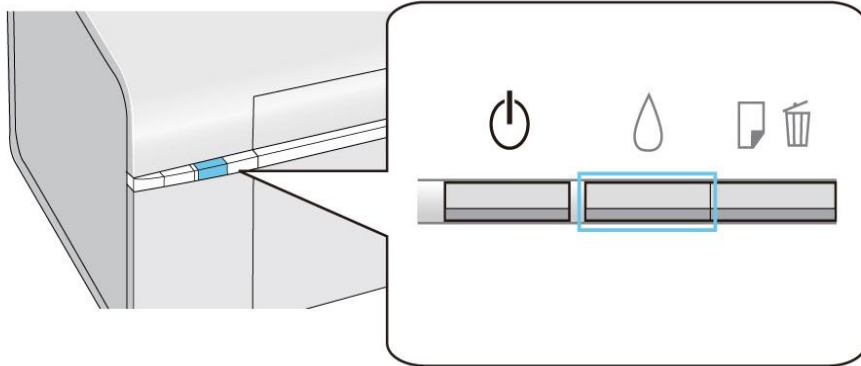


8. When prompted, select the new installed Venetian Solvent Ink Printer to apply the Venetian Solvent Ink profile.



- **Verify Installation**

1. **Verify the Printer Ink LED (as shown below) is not blinking.**



2. **Make sure the Ink System is being detected properly by verify Ink Level under Printer Preference menu.**



If there any issue on step 1 OR step 2, Ink IC Reset operation is needed. Please refer to “Reset IC” section.

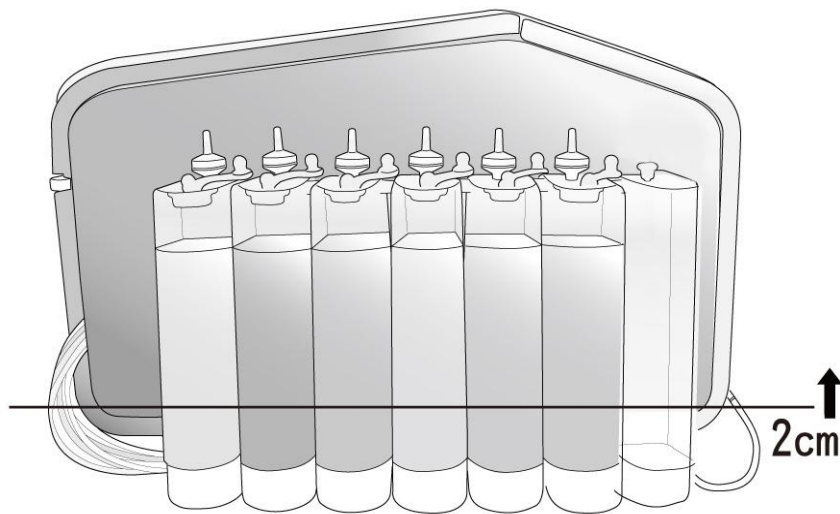
Disc Printing

- **Ink Head Cleaning Prior Printing**

It is recommended to clean the Ink Head prior use every time, especially after a lengthy period of non-use, to lubricate the print head. Please refer to “Ink Head Cleaning” section under “Tools and Maintenance” chapter for more detailed instruction.

- **Check Ink Quantity Prior Printing**

It is recommended to verify the ink volume prior printing, especially prior a big printing job. Please make sure ink volume for every color is above the green line indicated below (approx. 2cm from the bottom). If any ink bottle has ink below the green line (exclude the waste ink bottle), please refer to “Refill Ink” section under “Tools and Maintenance” chapter for more detailed instruction.



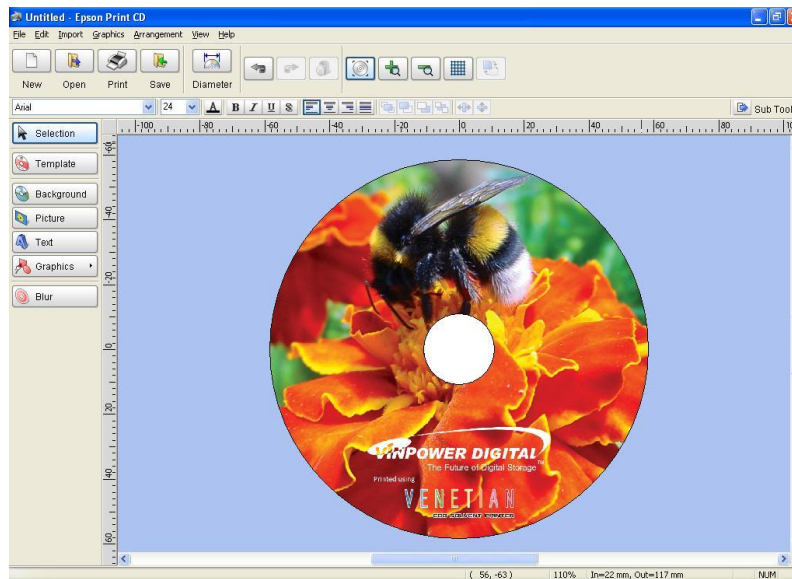
- **Perform Disc Printing via Print CD Software**

Procedures below are an example of printing via “PrintCD” software. Procedures may vary when using different disc printing software.

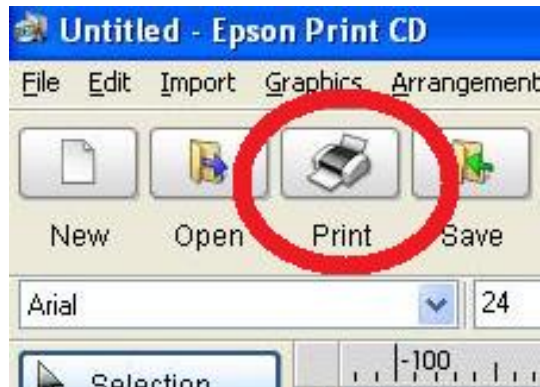
1. **Launch “PrintCD” by double click its icon on your desktop.**



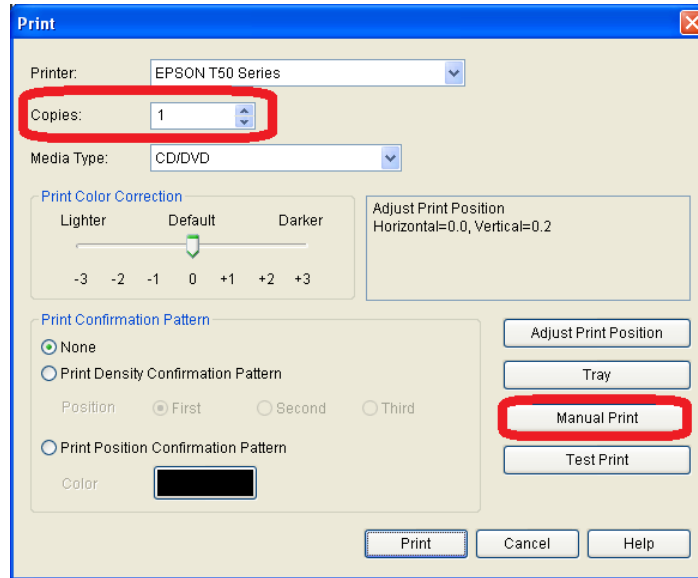
2. **Design your disc layout using “PrintCD” software. For details of designing disc labels, please refer to help documents of “PrintCD” software.**



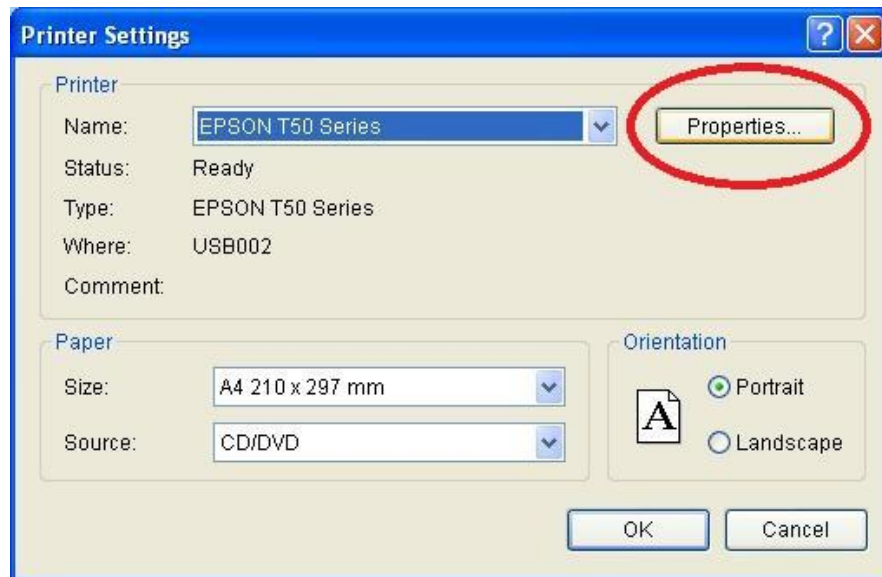
3. **Click on the “Print button on the tool bar.**



4. Specify the amount of disc to be printed and click on “Manual Print” button.



5. Click on the “Property” button on the manual Print screen to launch the “Printer Preferences” menu.

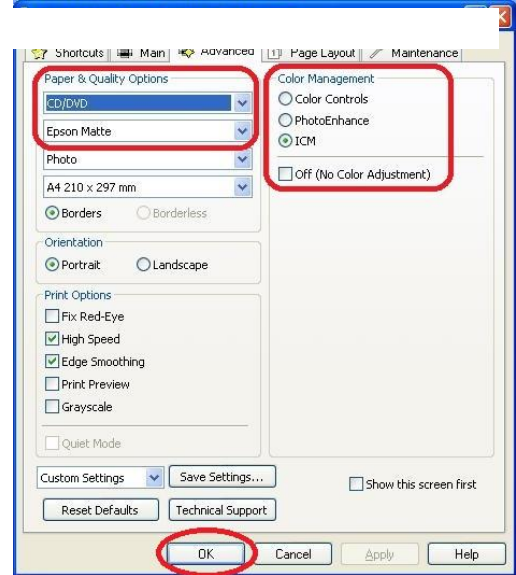


6. Click on the “Advanced” tab of the “Printer Preference” menu, and make following changes and click on the “OK” button to submit the change.

Please note that this is required every time you start a print job:

7. Paper & Quality Options:

- CD/DVD (Select)
- Epson Matte (Select)
- o Color Management
 - ICM (Select)
 - Off (Unchecked)



8. Click the OK button once again to start this print job.

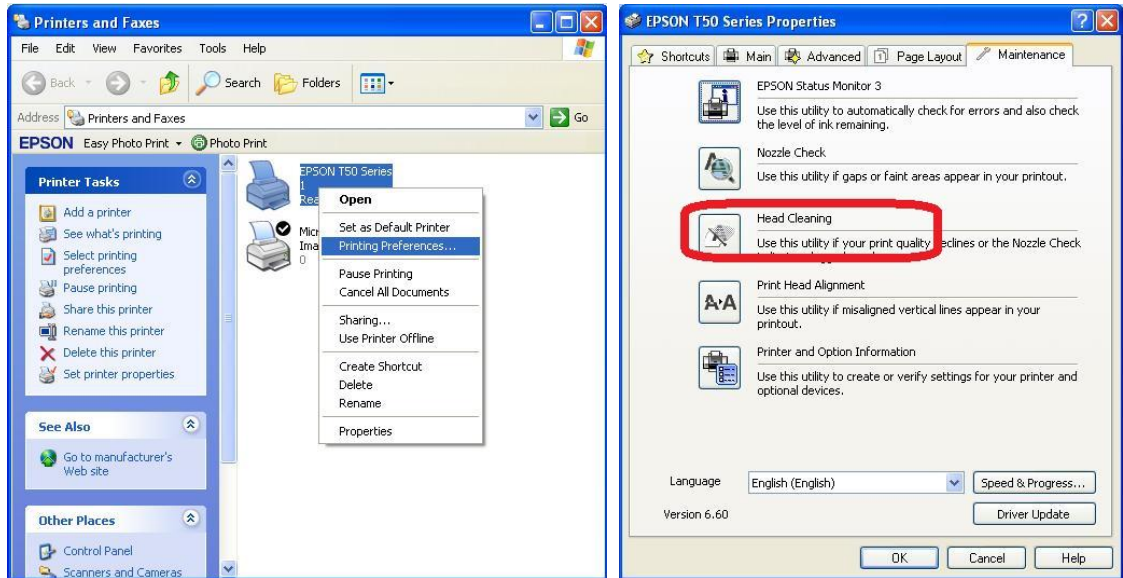


Tools and Maintenance

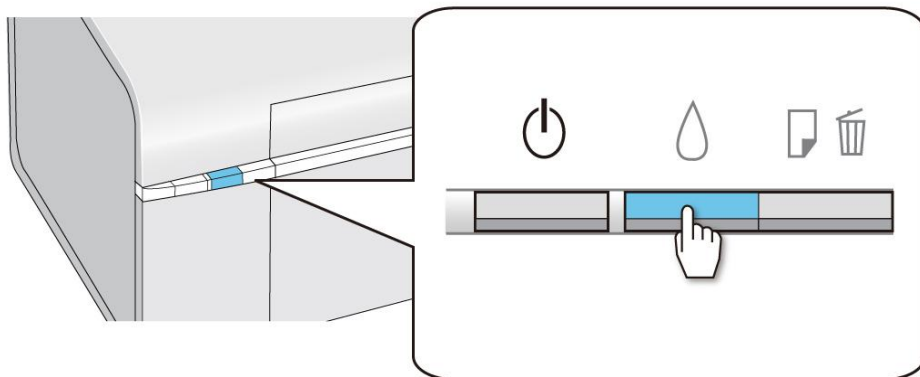
- **Ink Head Cleaning**

It is recommended to clean the Ink Head prior use every time, especially after a lengthy period of non-use, to lubricate the print head. You can try either one of following method:

- **By Software – Go to Printer’s “Printer Preference” setting, “Maintenance” tab, and then click on “Head Cleaning”. Follow the instruction on the screen to complete the cleaning process.**



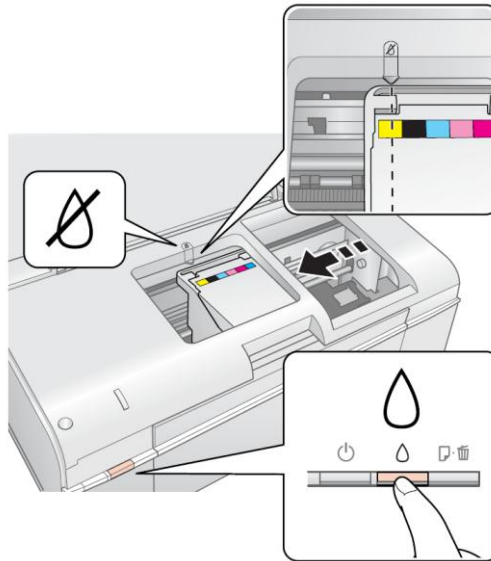
- **By Hardware – Press and hold the “Ink” button for 3 seconds. The printer will perform “Head Cleaning” automatically.**



- **Reset Ink Chip**

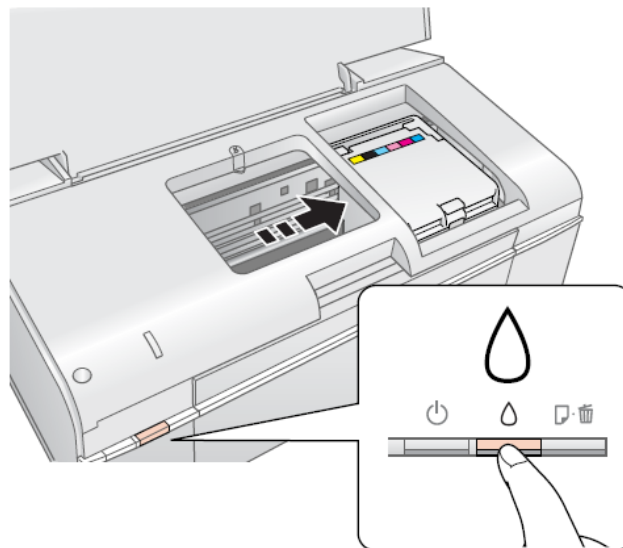
Sometime the printer driver may fail to detect the existence of the ink and prompts for the out of ink message, or blinking Ink LED when printer is powered on. When it occurs, you may need to reset the ink chip counter by following:

1. **Open the printer cover and press the “Ink” button once. The print head will move to the ink position that it “thinks” that is low / expended.**

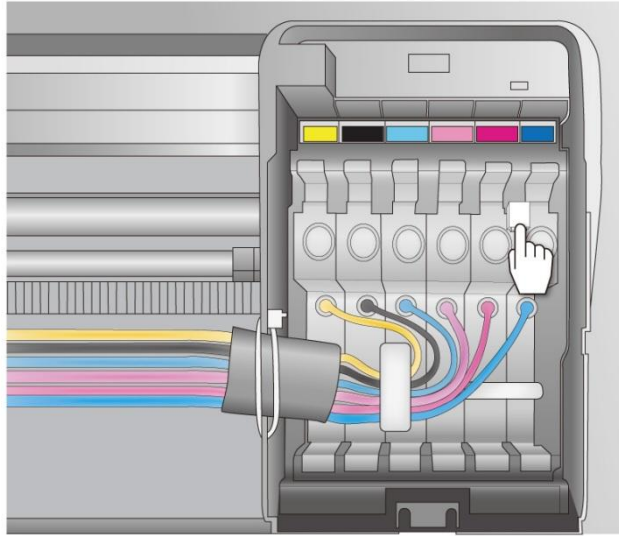


2. **Press the “Ink” button again.**

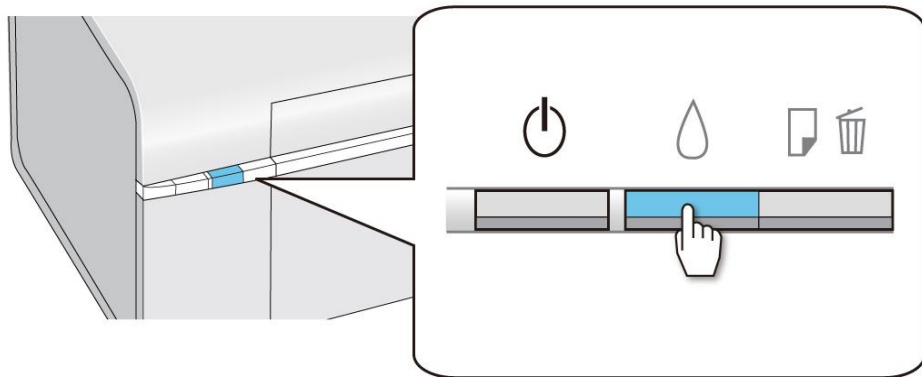
- **If another cartridge is low or expended, it moves to the ink position. Press the “ink” button again to see if any more cartridges are low or expended.**
- **If no other cartridges are low or expended, the print head moves to the replacement position.**



3. Press the Ink Reset button once.



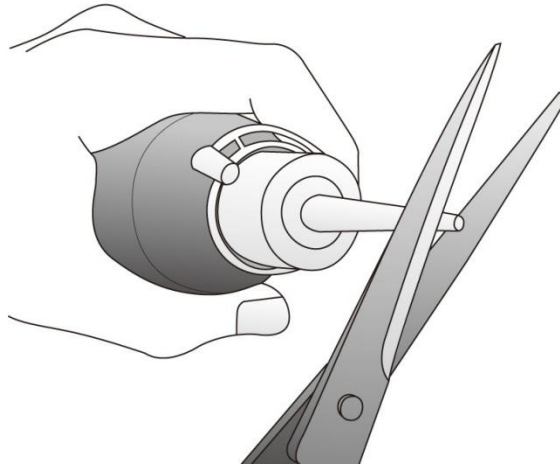
4. Close the printer cover and press the "Ink" button to re-detect the ink. The detection process normally takes 2-3 minutes.



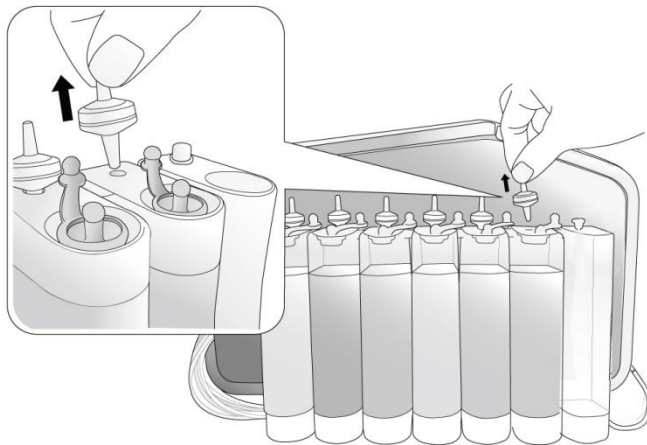
- **Refill the Ink**

The ink used in Venetian printer is different than what's normally found in the market. It is crucial to use the refill the ink with the genuine Venetian Ink. Use of non-genuine ink may damage the Venetian printer.

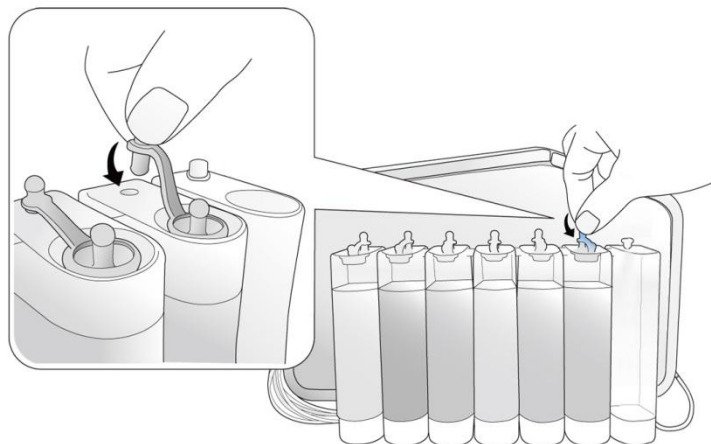
1. **Use scissor to cut off the top of the ink refill bottle.**



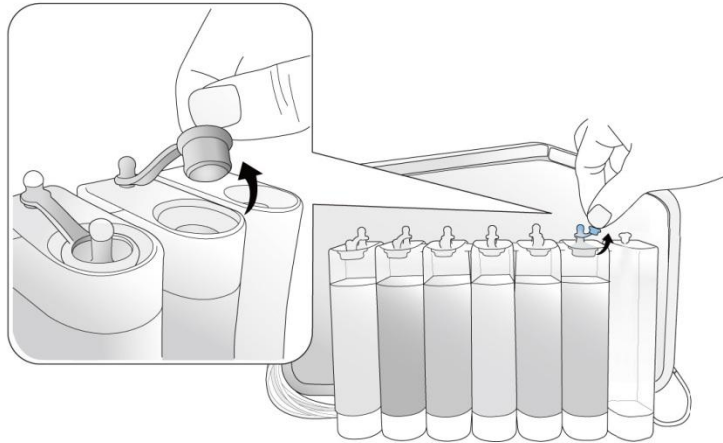
2. **Remove the Air Filter for the ink bottle.**



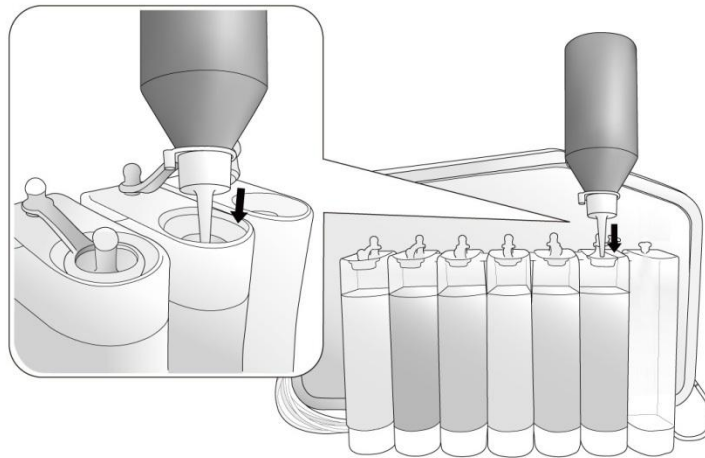
3. **Insert the rubber plug into the air filter hole.**



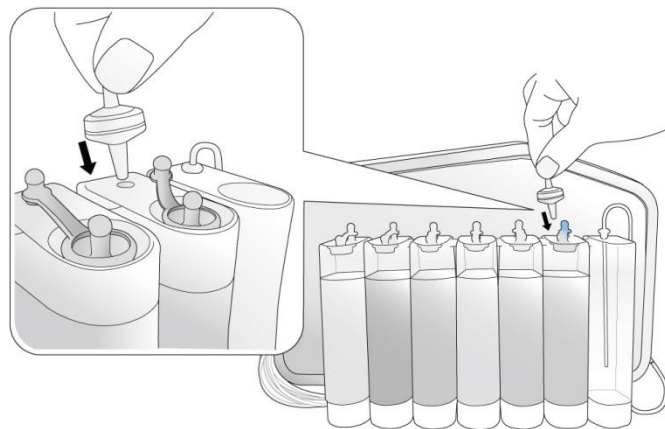
4. Double check the air filter hole is firmly plugged. Then remove the rubber plug from the ink hole.



5. Pour the ink from refill ink bottle into the ink bottle.



6. After Ink is poured into the ink bottle, plug the rubber plug into the ink hole, unplug the rubber plug from the air filter hole, and finally place the air filter in the air filter hole.



- **Ink/Color Calibration**

Due to the special ink is used in the Venetian printer, a unique ICC (Color Management) profile is needed and the ink density may need to be adjusted for the best printing quality. The tool to perform such tasks is called “Ink Tuner”.

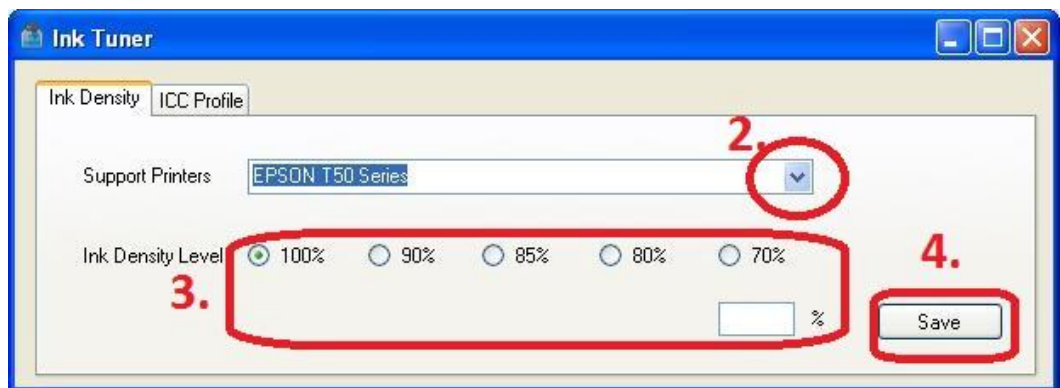
1. Launch the “Ink Tuner” software by click on the icon on the desktop.



2. Select the corresponding tab for Ink Density change or ICC Profile change.

3. Select the Venetian printer and choose the desired Ink Density level and/or desired ICC profile.

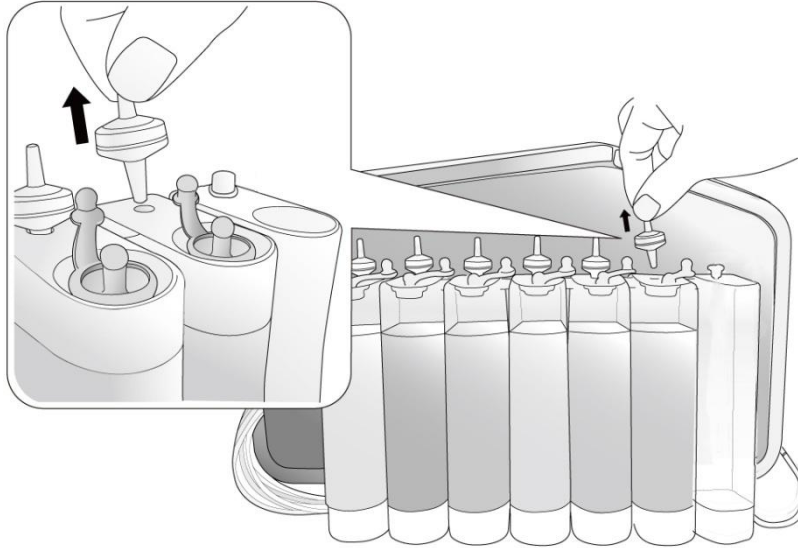
4. Click on the “Save” / “Import” button to submit the change.



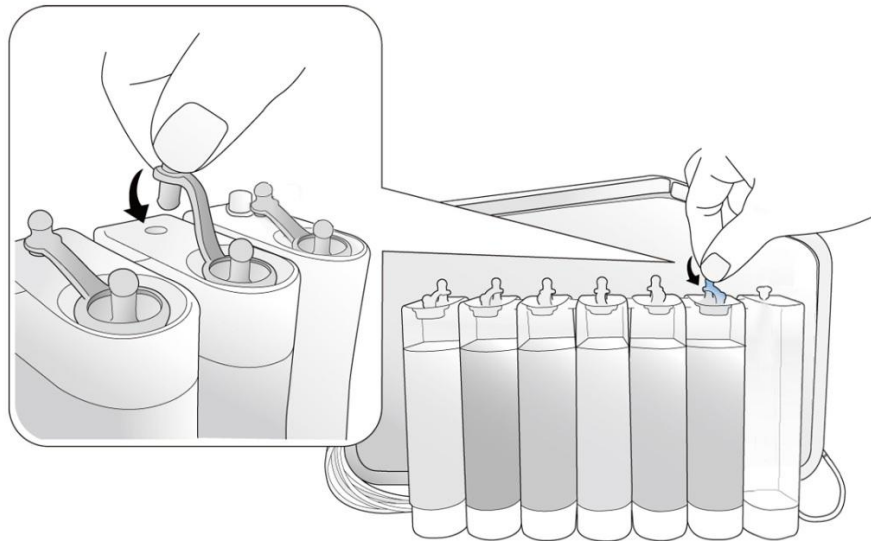
- **Packaging for Shipping**

If the printer needs to be transported for reasons like move to different facility, or sending the printer to manufacture for repair, please follow instructions below proper packaging.

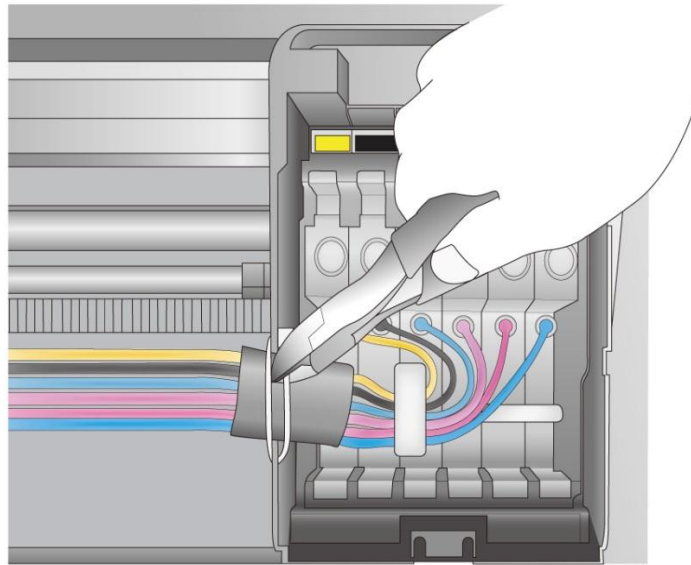
1. **Remove Air Filters on all Ink Bottles.**



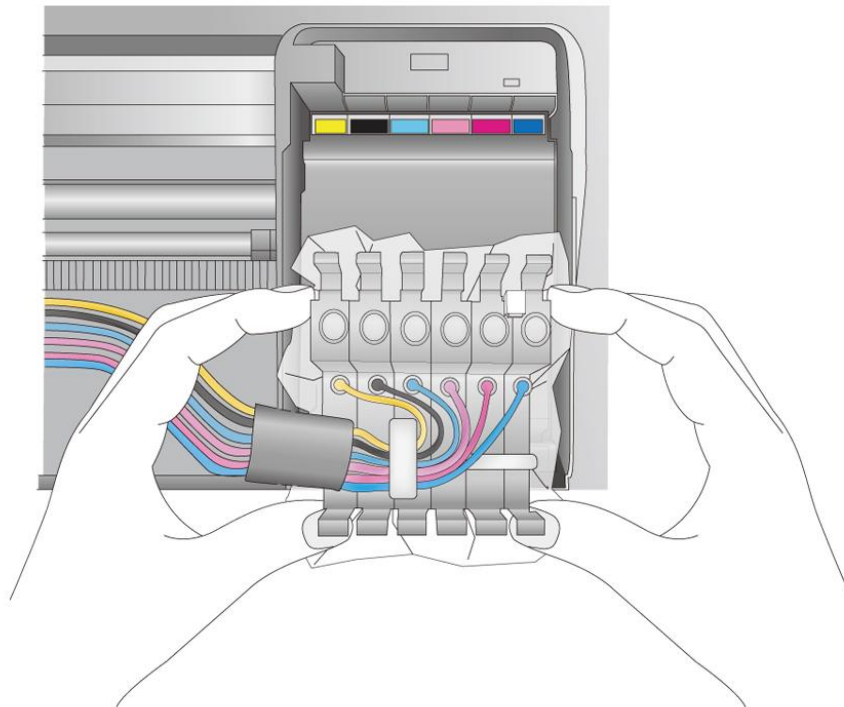
2. **Place Rubber Cap on all Ink Bottles. (Including Waste Ink Tube)**



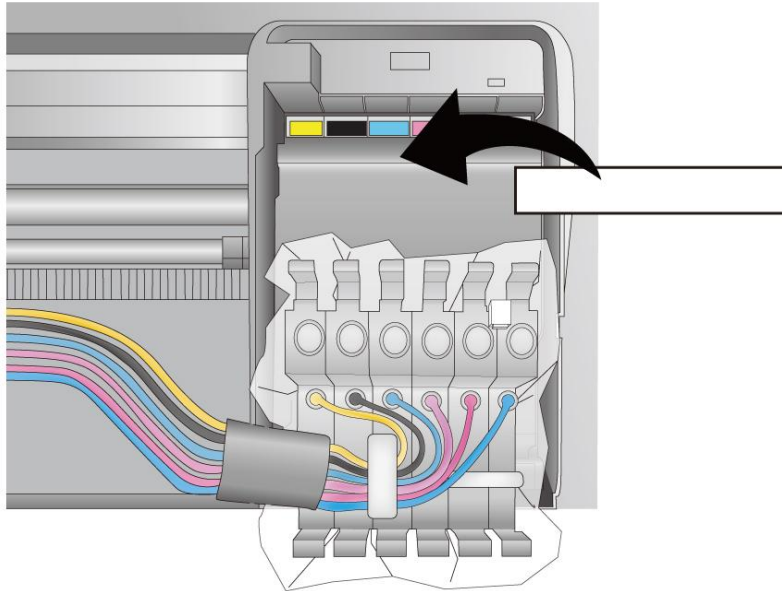
3. Cut off the protective strap around the Ink Tubes



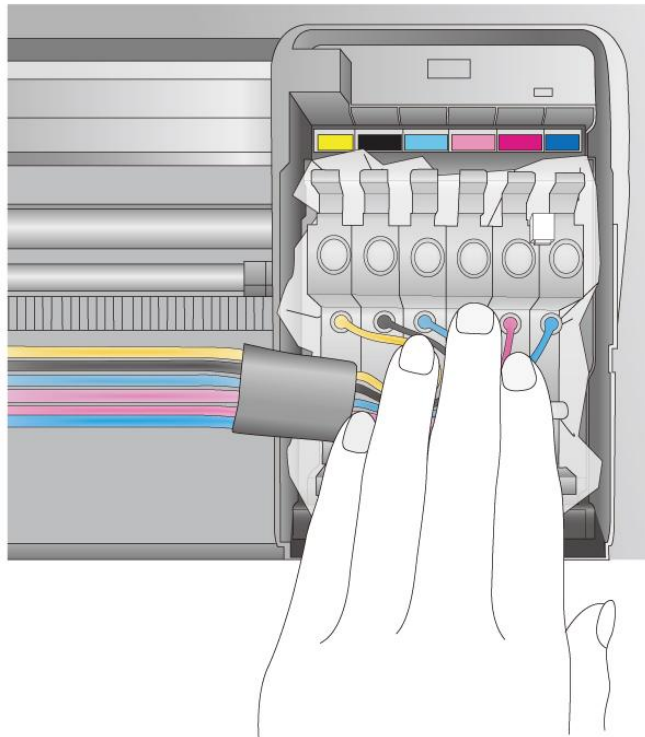
4. Unseat the Ink Cartridges and Wrap plastic bag around it. (Prevent ink leaked into printer)



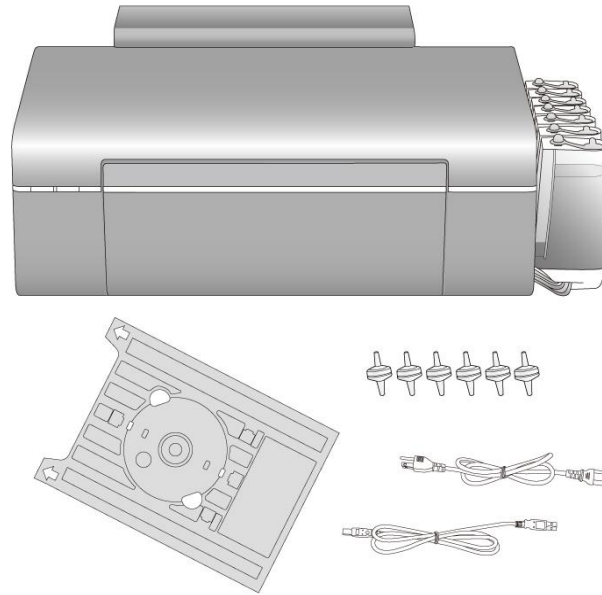
5. Insert the protective foam into the cartridge holder.



6. Re-seat the Ink Cartridges on top of protective foam into the cartridge holder.



7. Detach all additional accessories (ex. Printer trays, USB Cables, Power Cables, etc.)



8. Put protection tapes on the cartridge holder AND tray lid, and pack the printer back into the original packaging with proper packaging materials and accessories.

