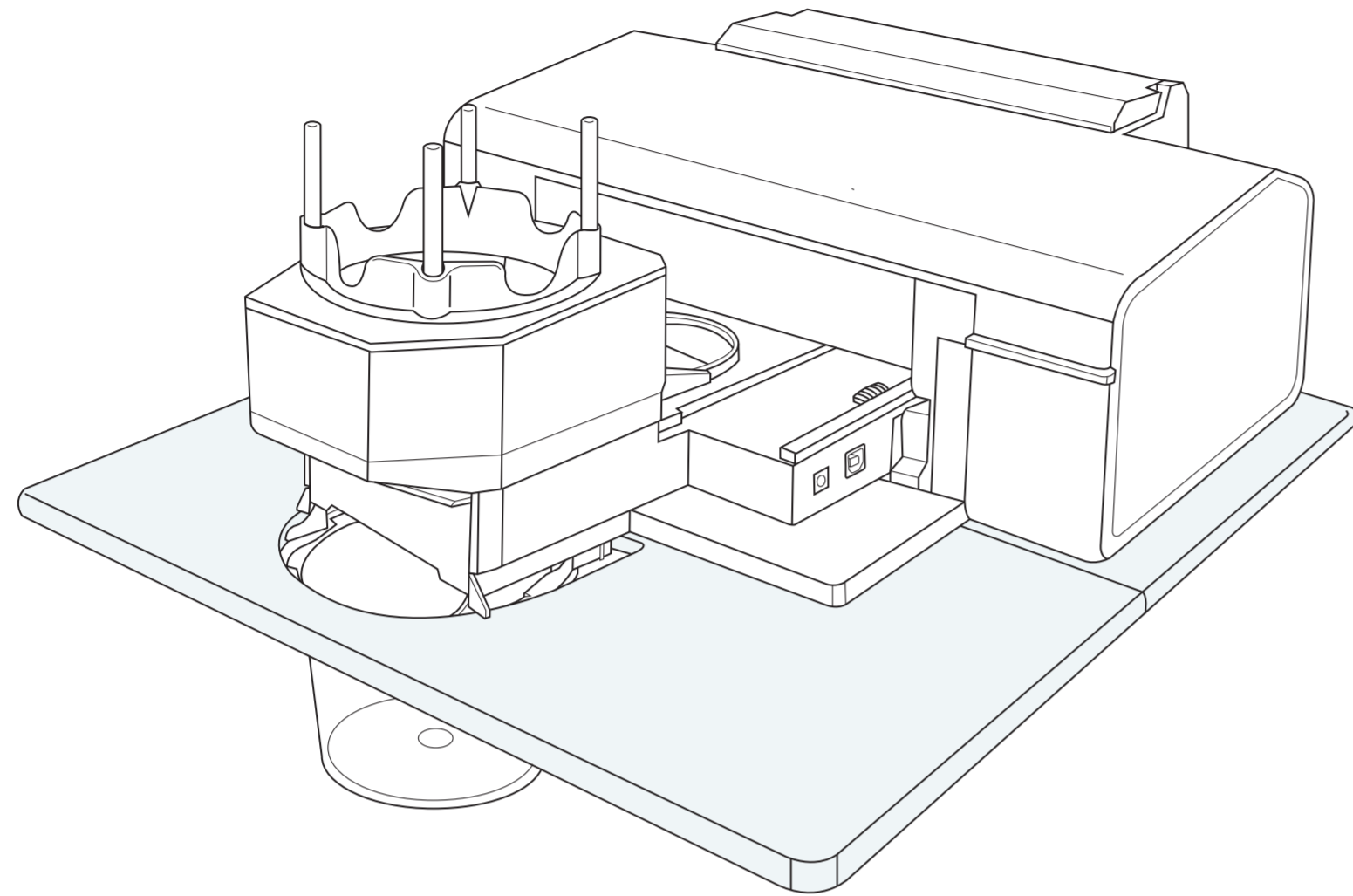
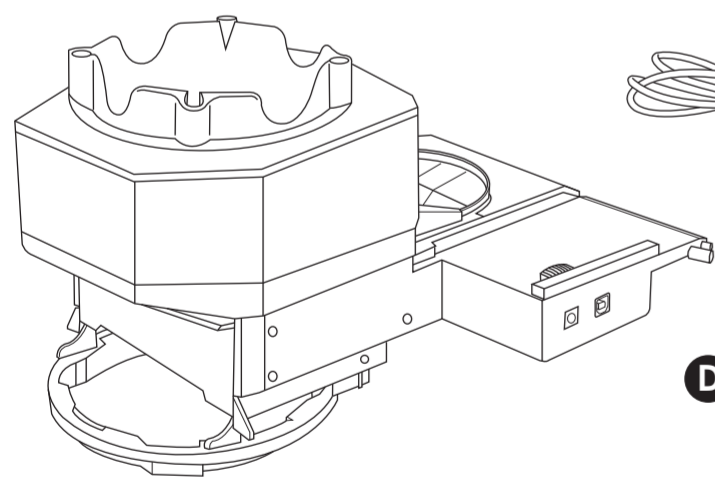


# PANDORA II... AUTO-PRINTER

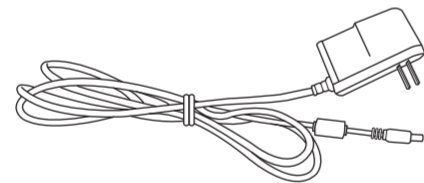


## Package Contents

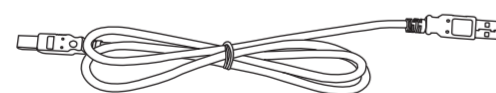
### A Robotic Disc Loader



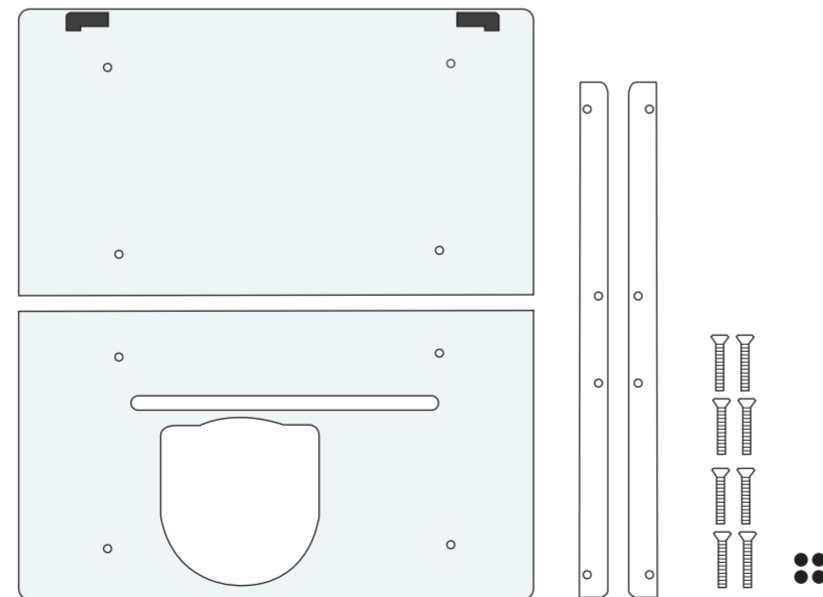
### B Power Adapter



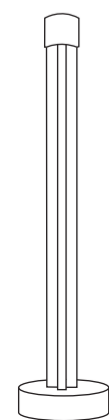
### D USB Data Cable



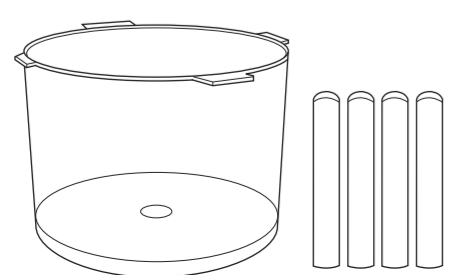
### C Device Plate (2 pcs) / Metal Bar (2 pcs) / Screws (8 pcs) / non-slip material (4 pcs)



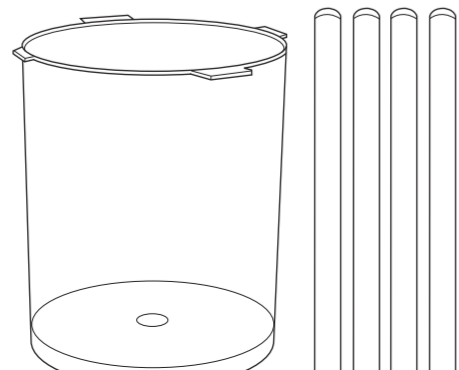
### E Spindle (For Media Insertion / Remove During Use)



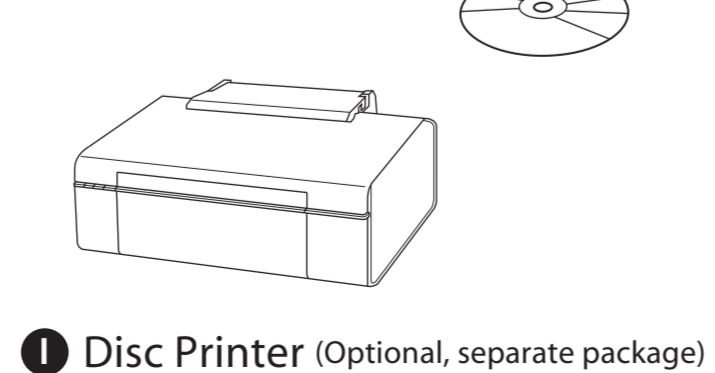
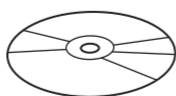
### F Disc Bin (50 Discs Capacity) / 1 pc Disc Bar (50 Discs Capacity) / 4 pcs



### G Disc Bin (100 Discs Capacity) / 1 pc Disc Bar (100 Discs Capacity) / 4 pcs (Optional)

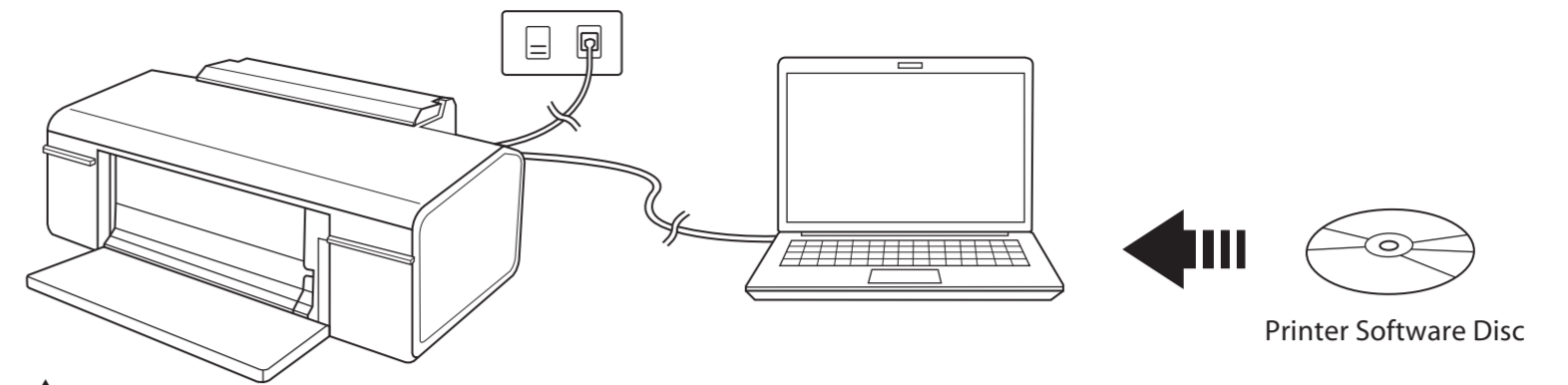


### H Pandora Software Disc

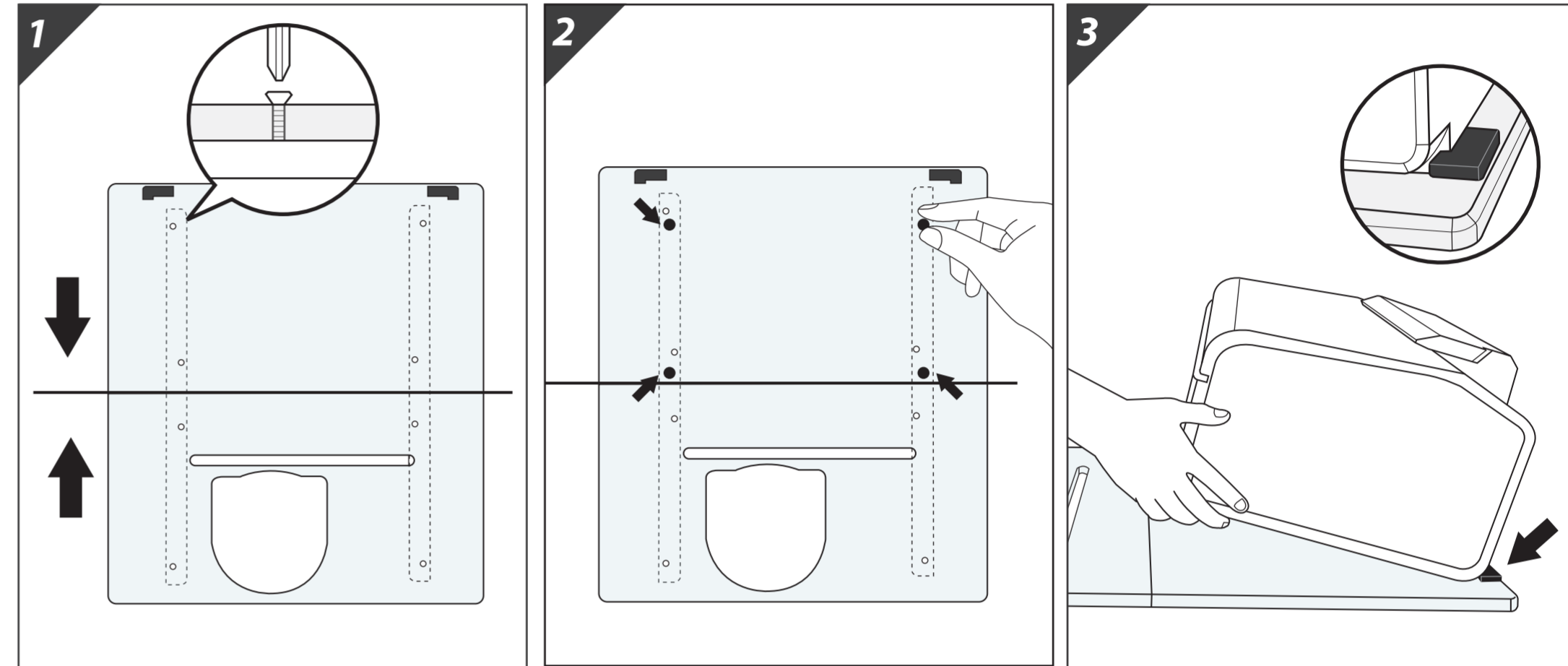


### I Disc Printer (Optional, separate package)

## Installation



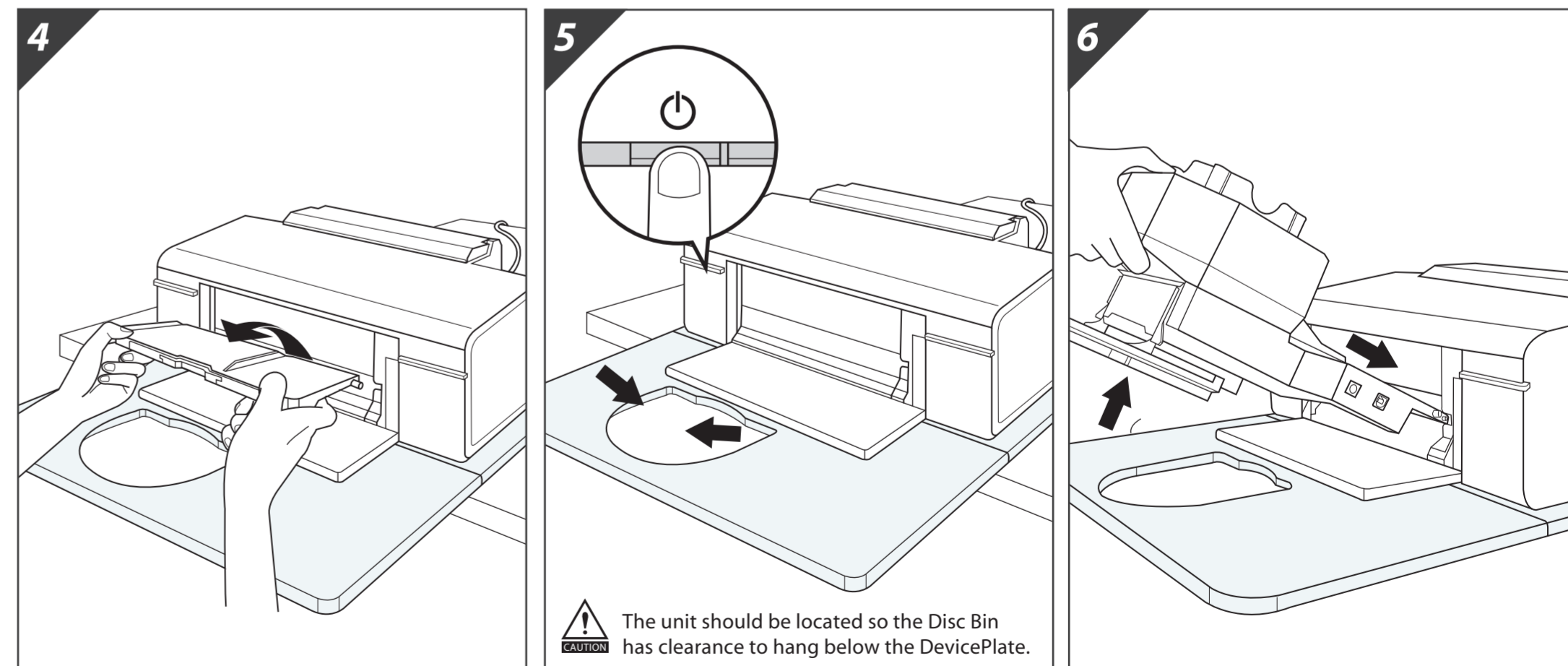
Printer Software must be installed before proceeding below.



1. Screw the metal bars to the Device Plate from the bottom side.

2. Place the non-slip material in the designated locations on the metal bars..

3. Place the printer on the Device Plate and press securely against the rubber feet. (There should be no gap)



4. Lift the printer's front tray up with both hands, then pull it out of the paper position. Completely remove the tray from the printer. Please set the tray aside for later use.

5. Turn on the printer. It should initialize and the power light should turn green. This means the printer is setup correctly.

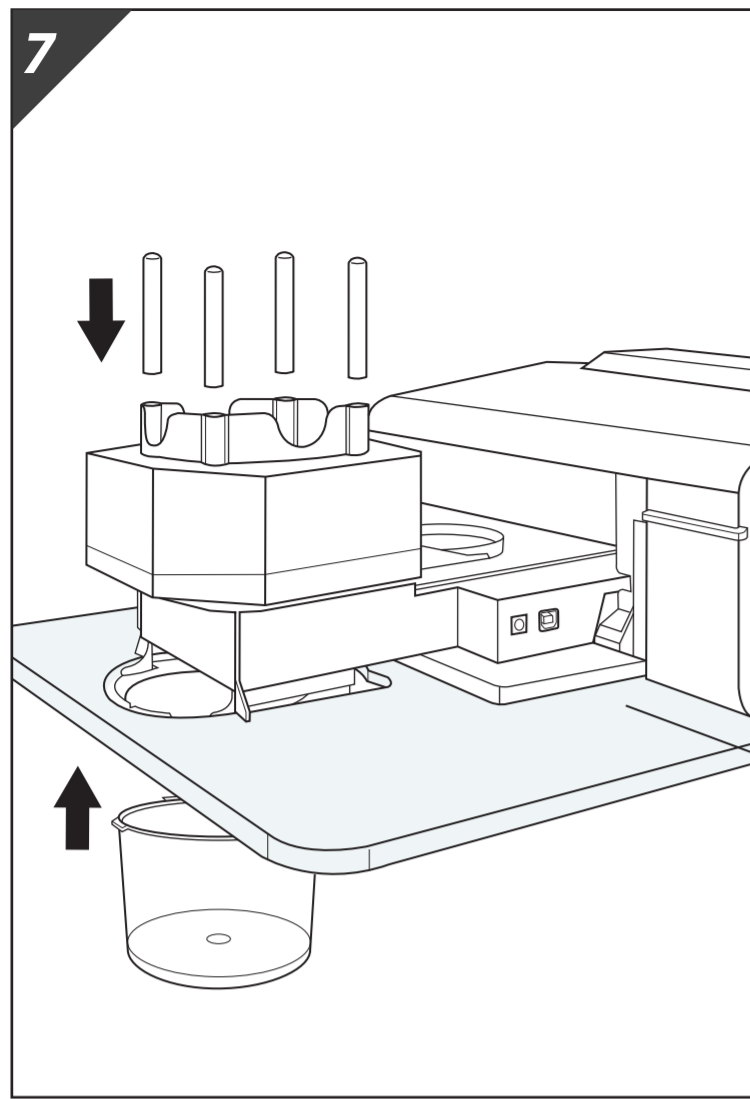


The unit should be located so the Disc Bin has clearance to hang below the DevicePlate.

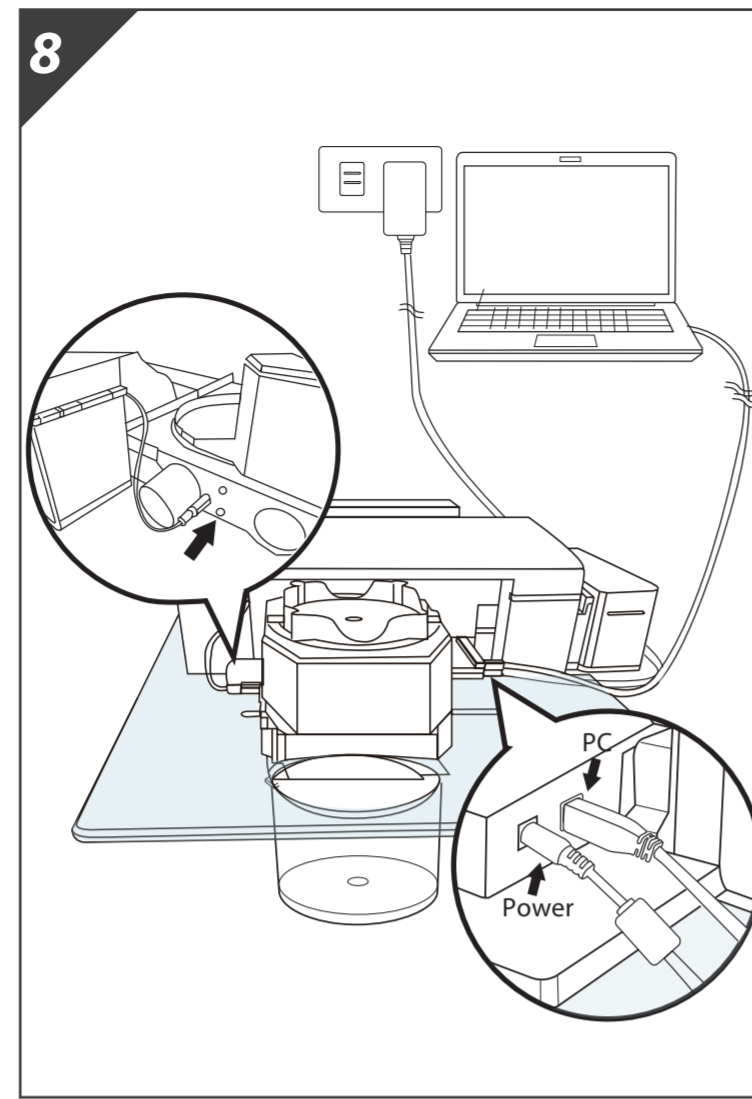


Remove the Disc Loader each time the printer is turned off.

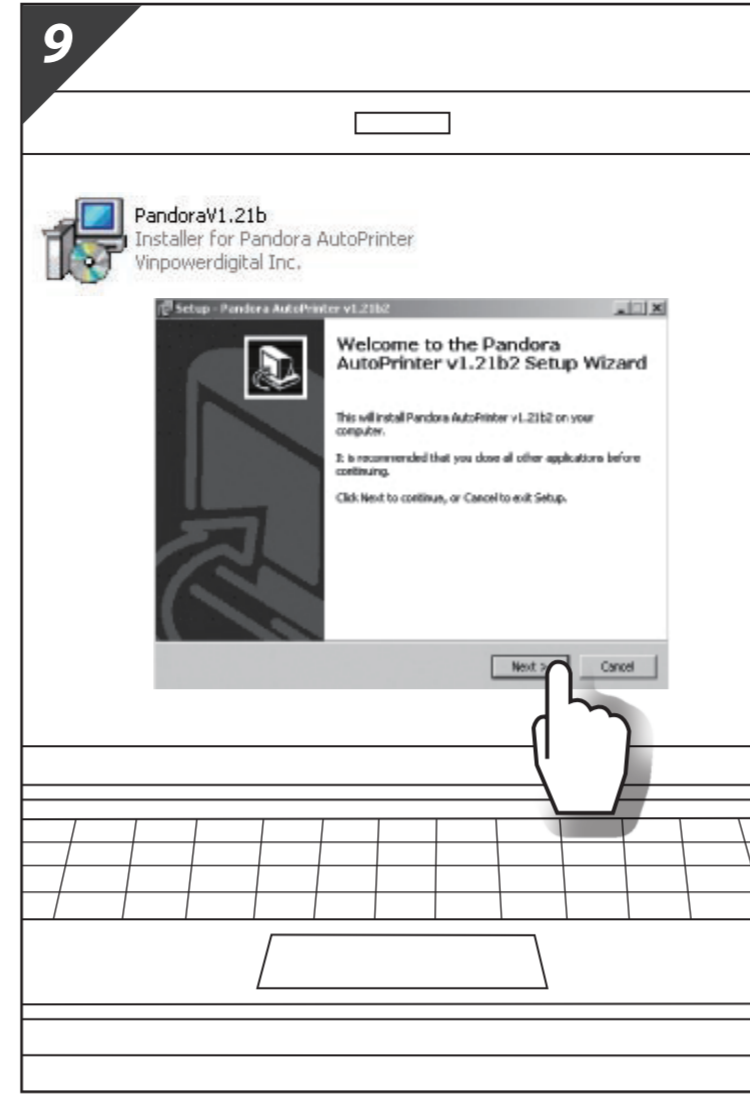
6. Place the Robotic Disc Loader into the printer. Ensure that the edges of the loader are lined up with the slots in the printer.



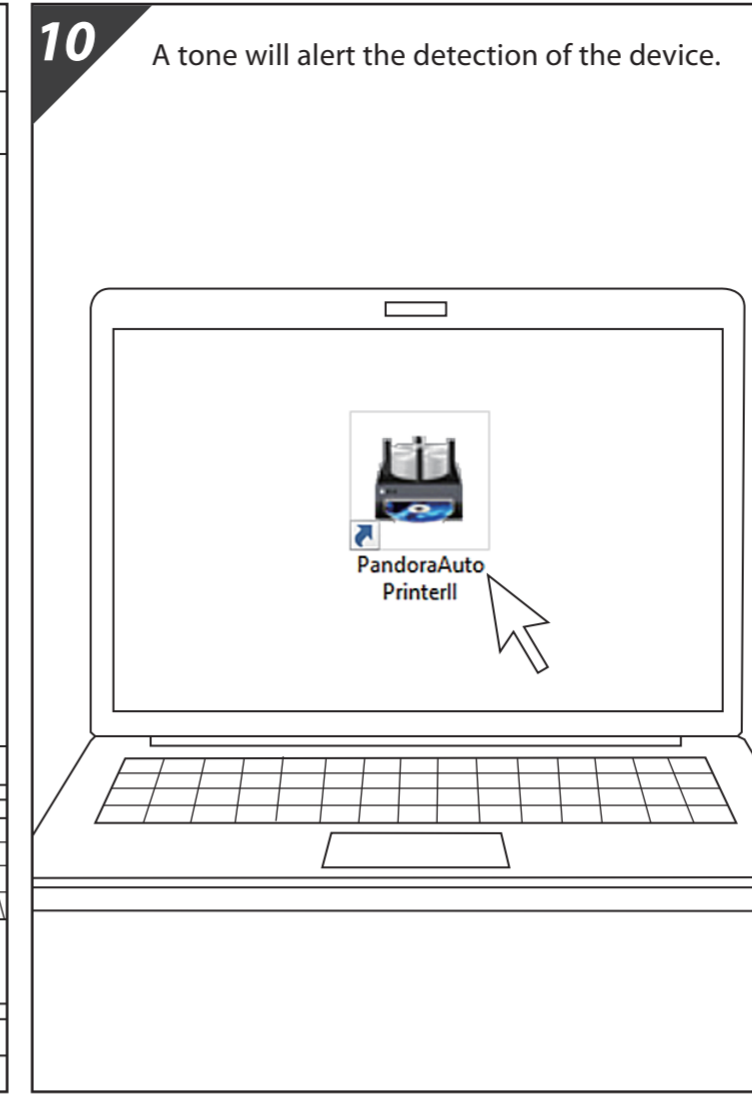
7. Insert the Disc Bars into the Robotic Disc Loader and the Disc Bin into the Device Plate.



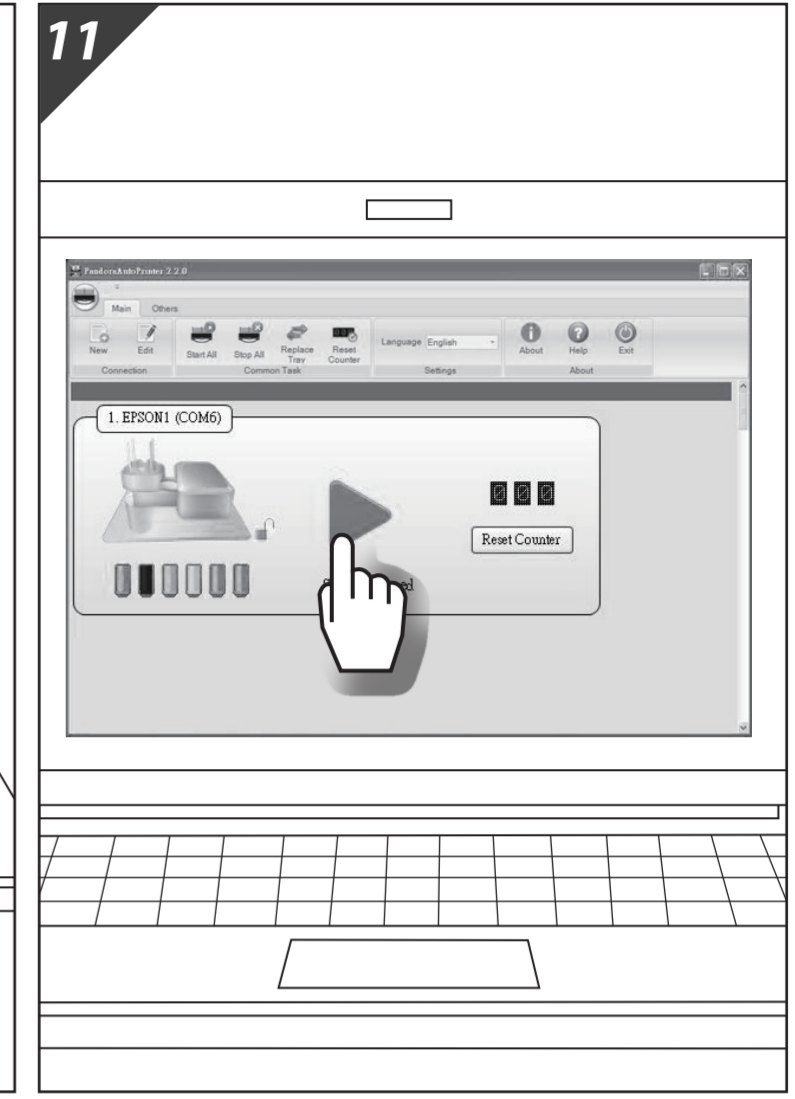
8. Plug the power adaptor into the Robotic Disc Loader, and plug the USB Data Cable in between the computer and the Robotic Disc Loader. Then connect the Control Connection Cable from the Printer to the Disc Loader.



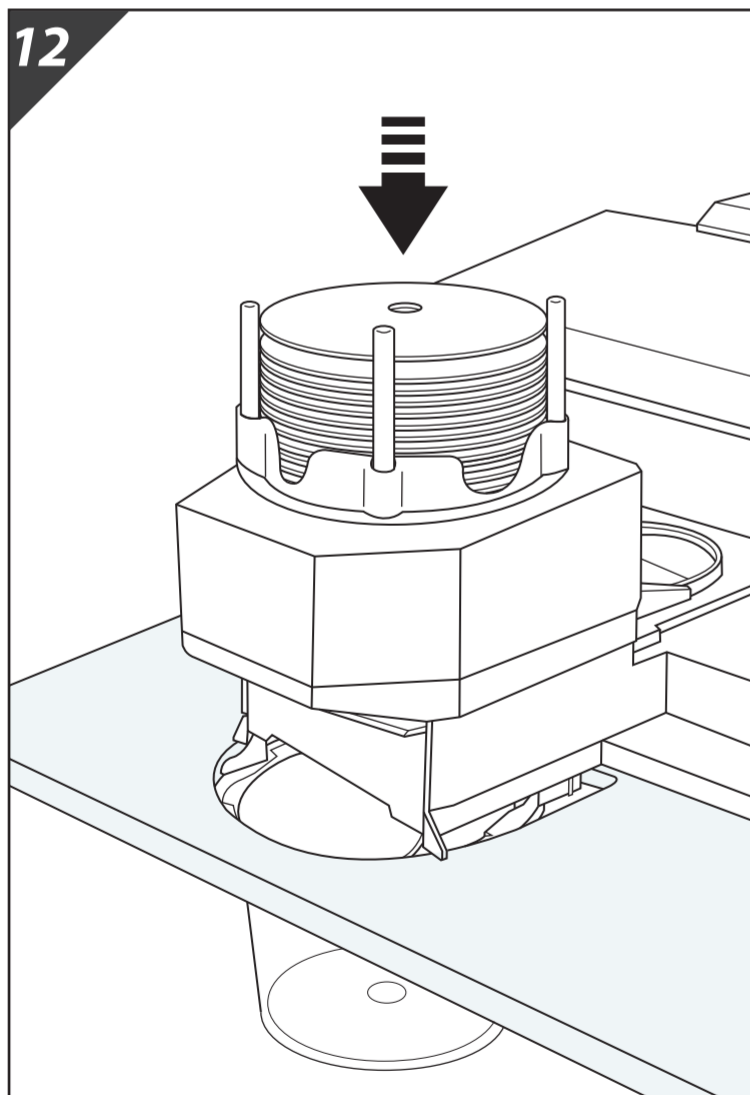
9. Execute the Installation File on the installation CD. Restart the PC after the installation is complete.



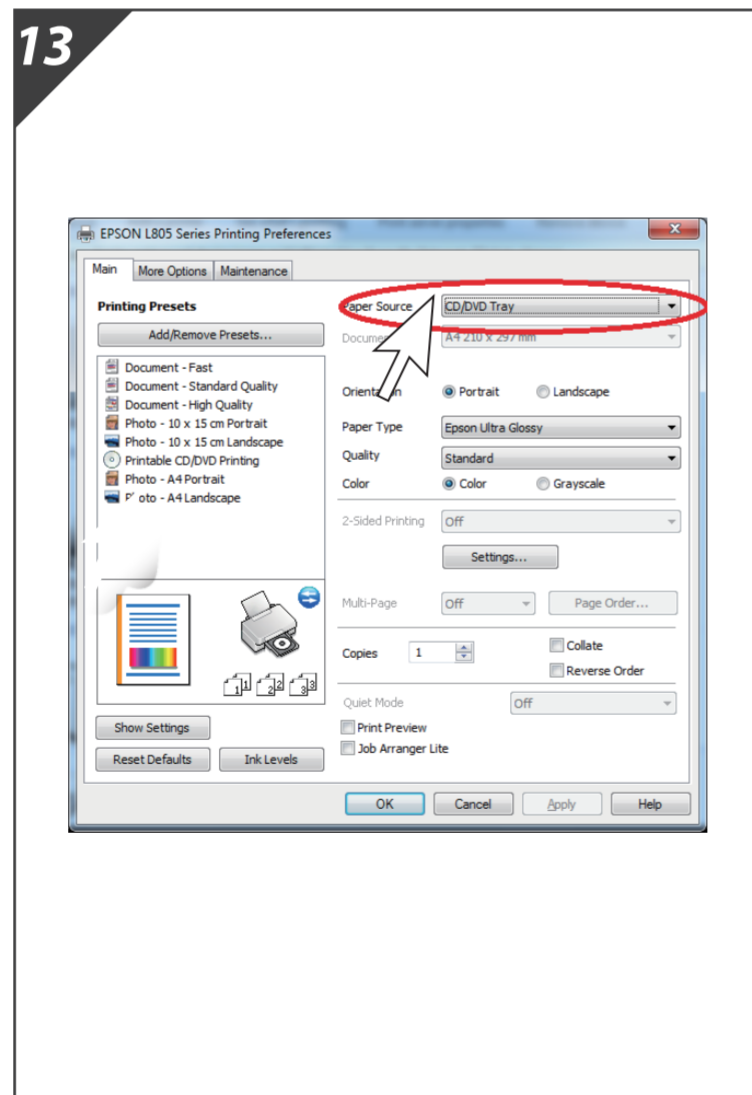
10. **Double-Click** the Pandora Shortcut on the Desktop



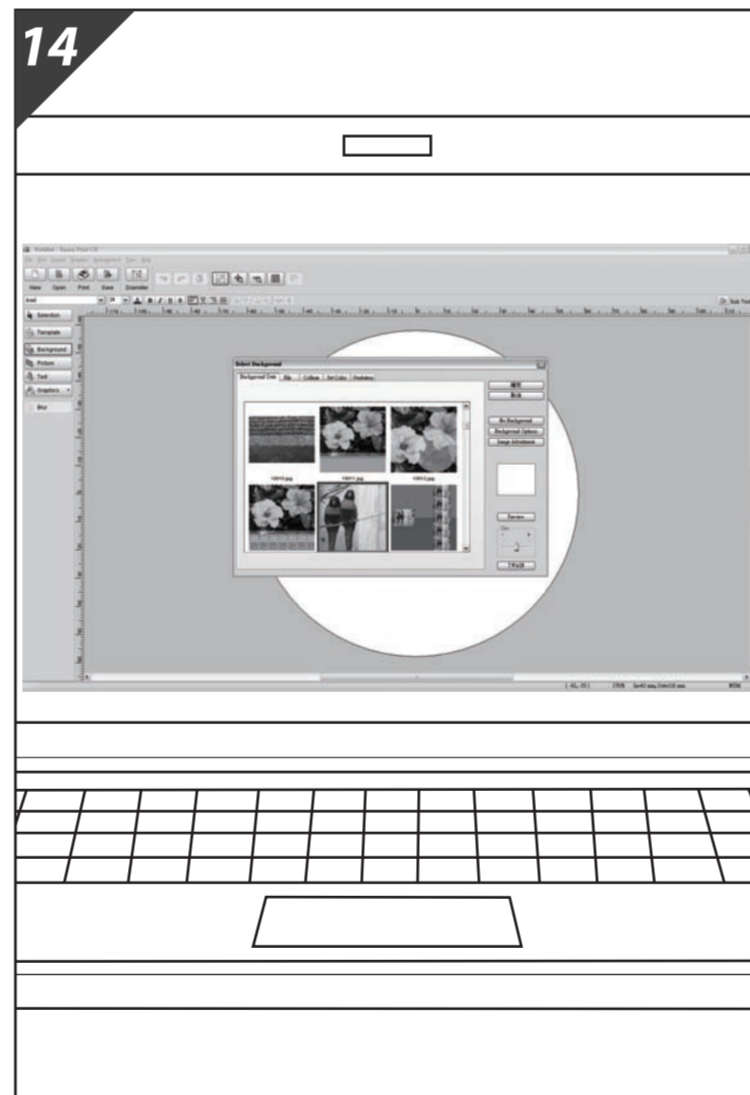
11. **Click** the **Start AutoPrinter** button to activate the Robotic Disc Loader.



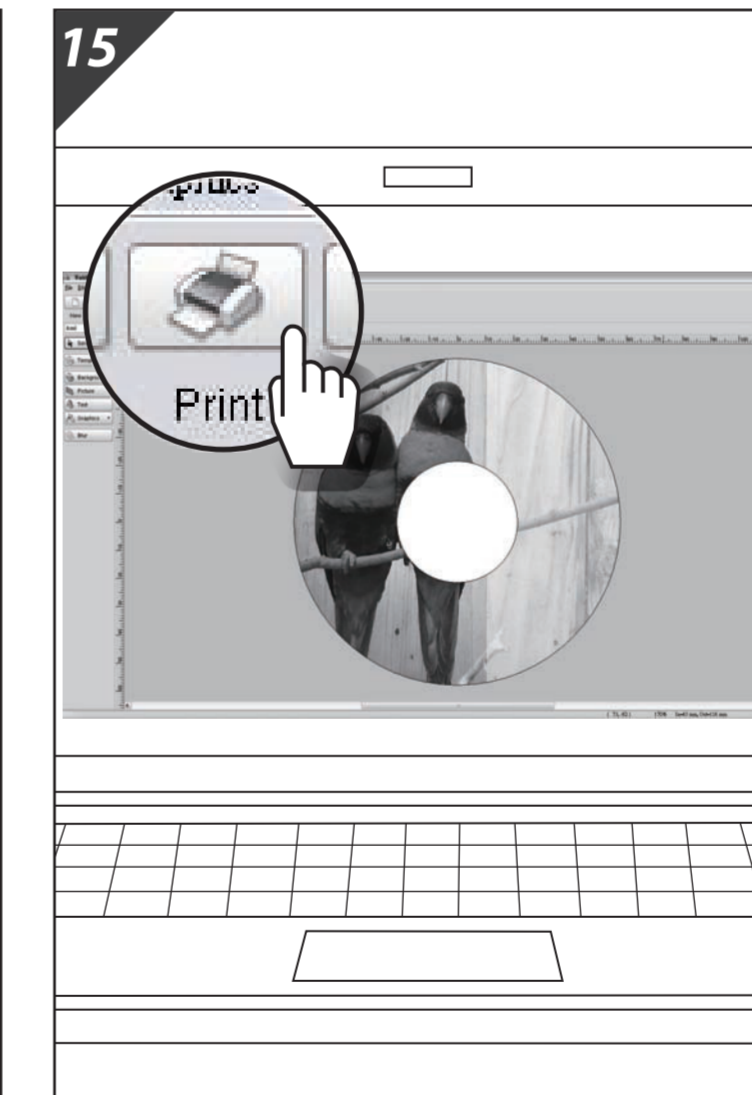
12. Load Inkjet Printable Media into the Robotic Disc Loader.



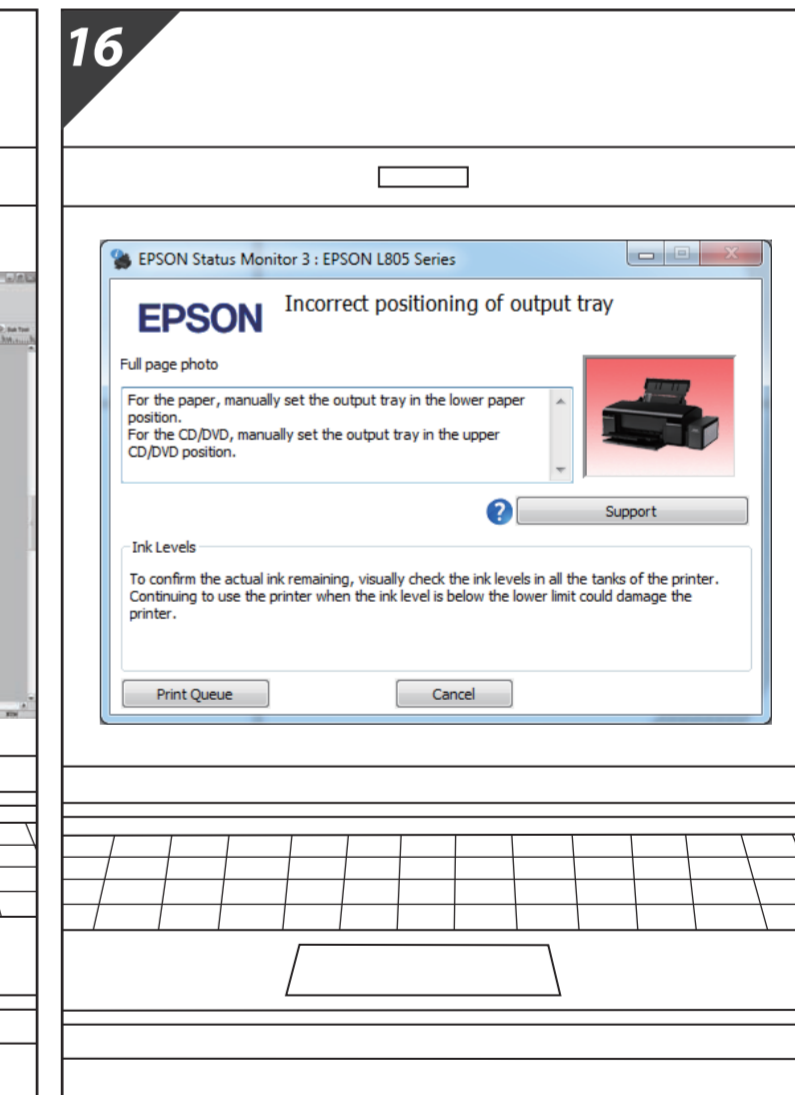
13. Set the "Paper Source" as "CD/DVD Tray" under "Printing Preferences" setting of the printer.



14. Design the Disc Label using the Epson "Print CD" or any other label design software.



15. Print the Disc Label by selecting the installed Epson printer.



**CAUTION** If you see above error message, please ignore it as the Disc Loader will start loading in any moment.